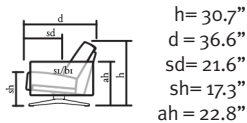


# Stressless® Stella

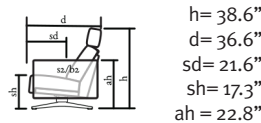


Ottoman (Steel)

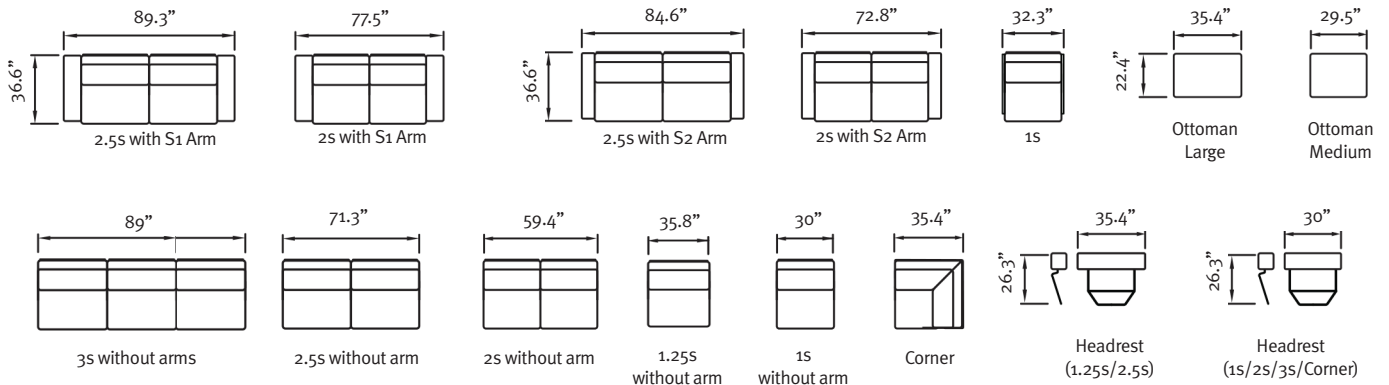
Ottoman (Wood)



You will need 4.5" behind the sofa for the Stressless reclining function.



You will need 7.5" behind the sofa for the Stressless reclining function.



**NOTES:**

- Legs are available in Wood or the following two Steel finishes: Matte Black or Chrome
- 1 Seat and 1.25 Seat without Arms CAN NOT be combined with arms as a stand alone chair
- 1 Seat and 1.25 Seat CAN ONLY attach to a single arm/corner or a panel

